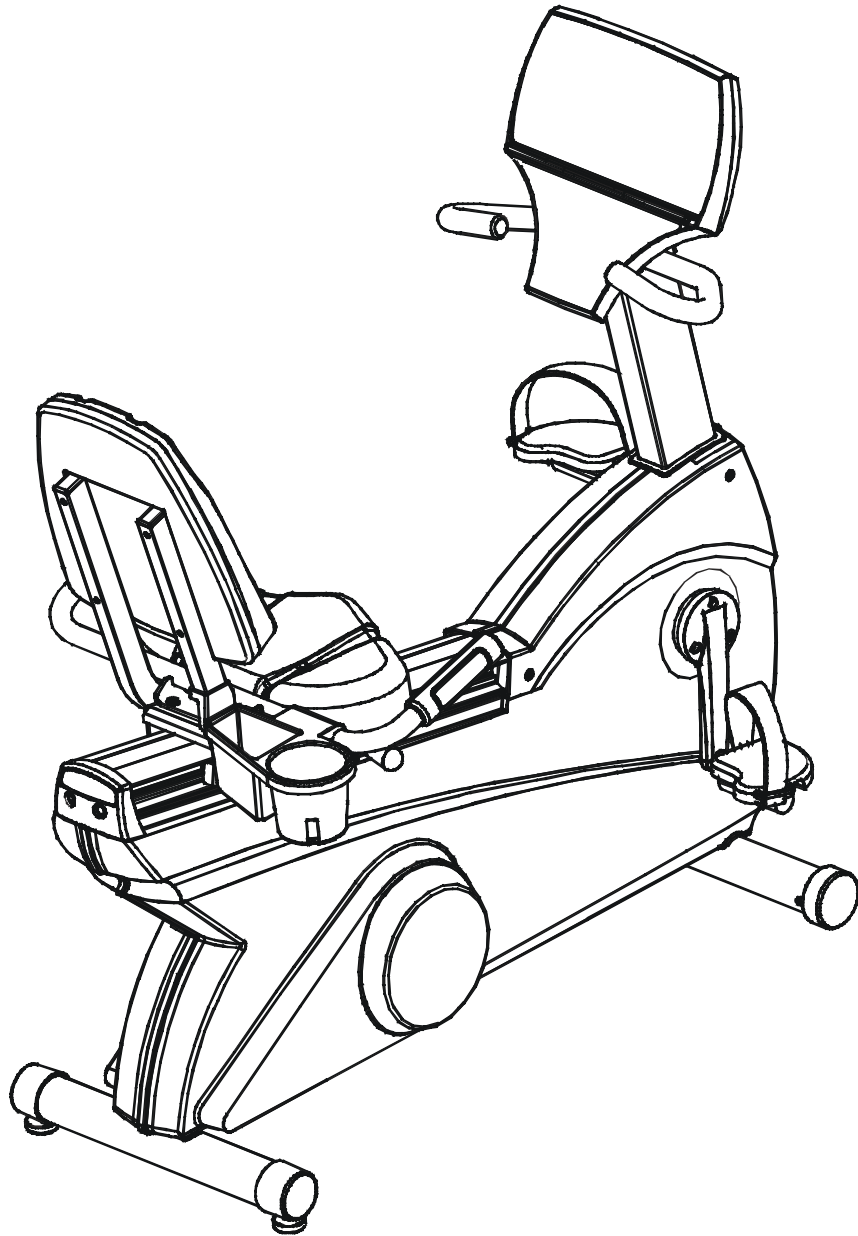


LifeFitness

Arctic Silver 90R Recumbent Bike



Customer Support Services
PARTS MANUAL rev. 08/12/05

ARCTIC SILVER 90R
REFERENCES

90R-0XXX-02
S/N CCJ100000 and UP

OPERATION MANUAL	M051-00K39-A026
ACCESSORY TRAY KIT	AK39-00052-0004
HARDWARE BAG	GK39-00002-0008
POLAR UPGRADE KIT	GK39-00002-0001
TOUCH UP PAINT: SPRAY CAN .5 OZ BOTTLE W/APPLICATOR .33 OZ PEN	0017-00008-0204 0017-00008-0205 0017-00008-0206
SERVICE MANUAL	M051-00K39-A012

ARCTIC SILVER 90R
CONTENTS

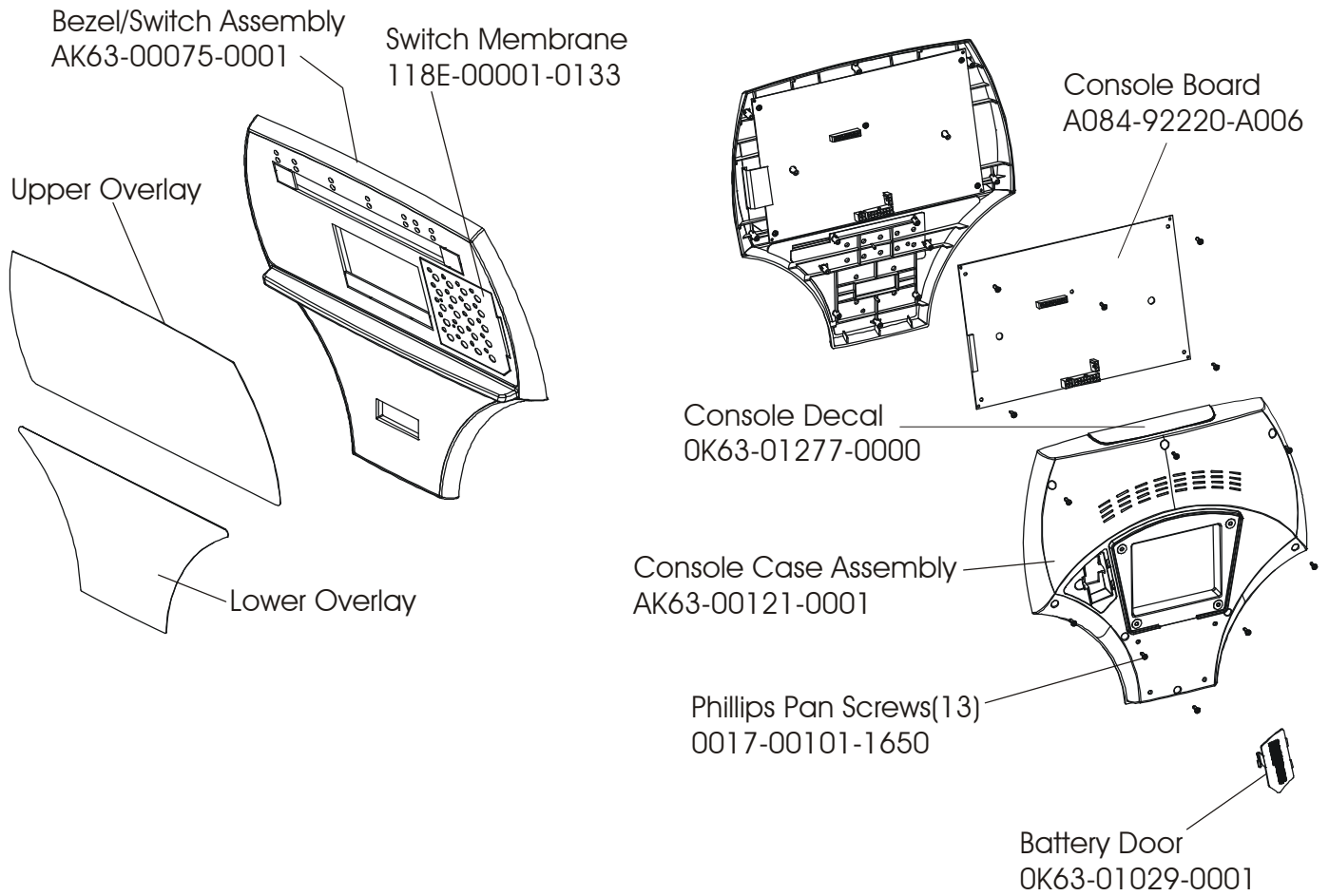
90R-0XXX-02
S/N CCJ100000 and UP

	Page
CONSOLE COMPONENTS.....	4
CONSOLE SUPPORT ASSEMBLY	5
SHROUDS, END CAP, CRANKARMS AND PEDALS	6
BELTS	7
POWER CONTROL BOARD.....	8
ALTERNATOR W/PULLEY	9
CRANKSHAFT AND BEARING ASSEMBLY	10
INTERMEDIATE SHAFT AND BEARING ASSEMBLY	11
IDLER BRACKET ASSEMBLY.....	12
SEAT ASSEMBLY.....	13
SEAT BOTTOM ASSEMBLY.....	14
SEAT FRAME ASSEMBLY.....	15
SEAT PADS AND ACCESSORY TRAY.....	16
EXTRUSION ASSEMBLY.....	17
SEAT LOCKING ASSEMBLY.....	18
WHEEL AND LEVELER.....	19
CABLES.....	20

ARCTIC SILVER 90R

Console Components

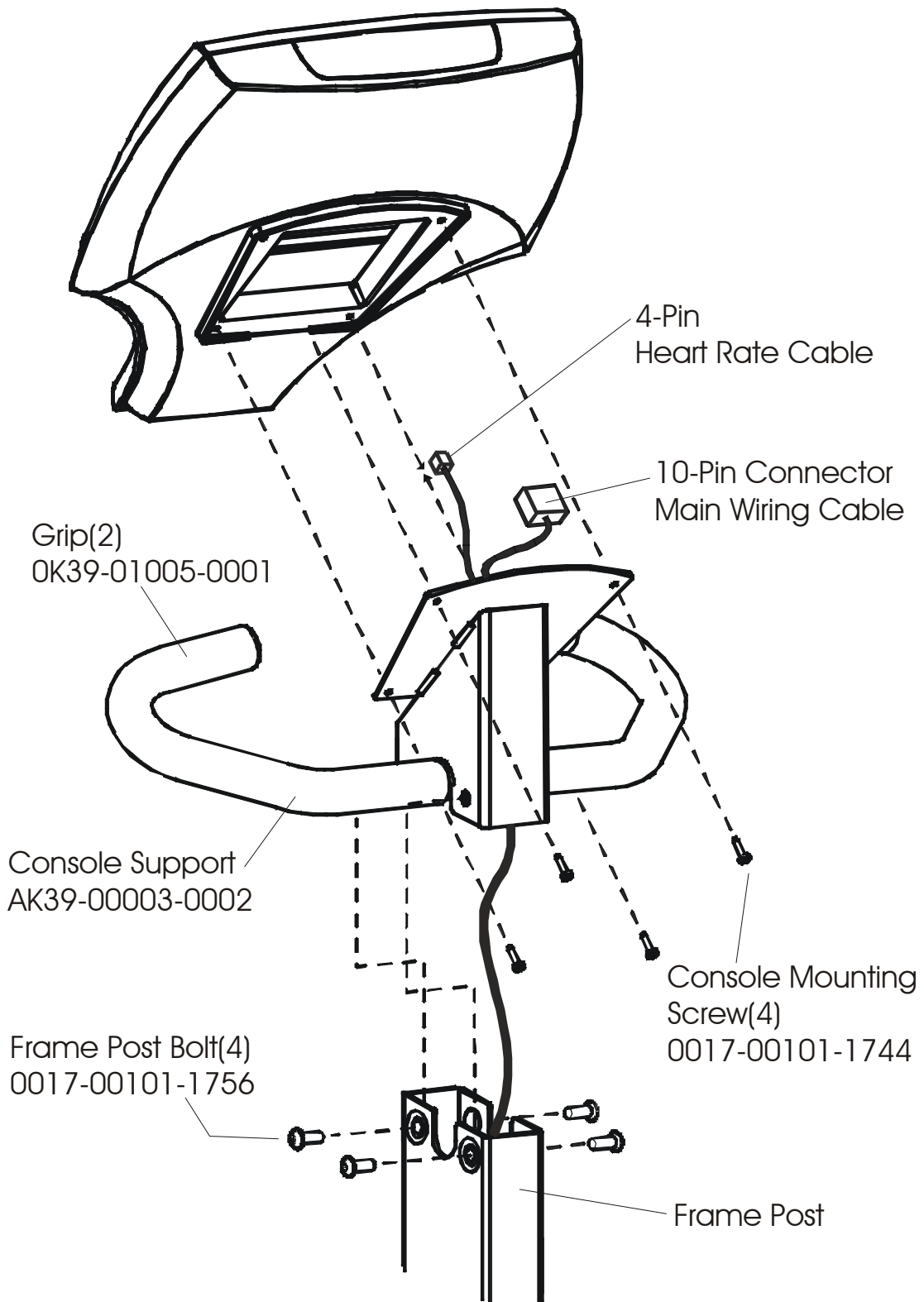
90R-0XXX-02
S/N CCJ100000 and UP



Console Assembly	Overlay/Bezel/Switch Assy.	Upper Overlay	Lower Overlay
AK63-00162-0001 Eng Met	AK63-00167-0001 Eng Met	OK63-01288-0001 Eng Met	OK63-01290-0001 Eng Met
AK63-00162-0003 Ger Met	AK63-00167-0003 Ger Met	OK63-01288-0003 Ger Met	OK63-01290-0003 Ger Met
AK63-00162-0004 Spn Met	AK63-00167-0004 Spn Met	OK63-01288-0004 Spn Met	OK63-01290-0004 Spn Met
AK63-00162-0006 Jap Met	AK63-00167-0006 Jap Met	OK63-01288-0006 Jap Met	OK63-01290-0006 Jap Met
AK63-00162-0007 Frn Met	AK63-00167-0007 Frn Met	OK63-01288-0007 Frn Met	OK63-01290-0007 Frn Met
AK63-00162-0008 Itl Met	AK63-00167-0008 Itl Met	OK63-01288-0008 Itl Met	OK63-01290-0008 Itl Met
AK63-00162-0009 Dut Met	AK63-00167-0009 Dut Met	OK63-01288-0009 Dut Met	OK63-01290-0009 Dut Met
AK63-00162-0010 Por Met	AK63-00167-0010 Por Met	OK63-01288-0010 Por Met	OK63-01902-0010 Por Met

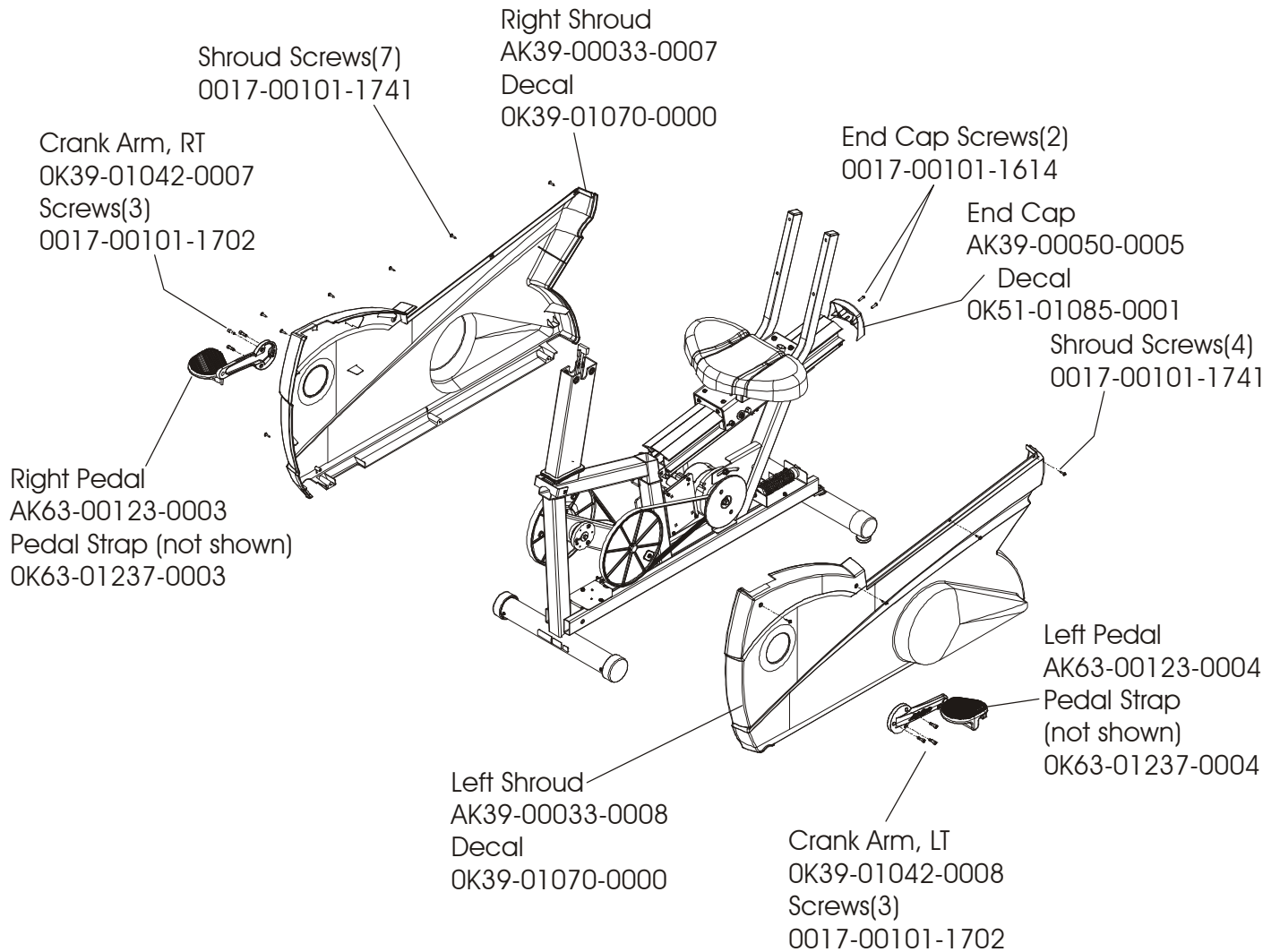
ARCTIC SILVER 90R
Console Support Assembly

90R-0XXX-02
S/N CCJ100000 and UP



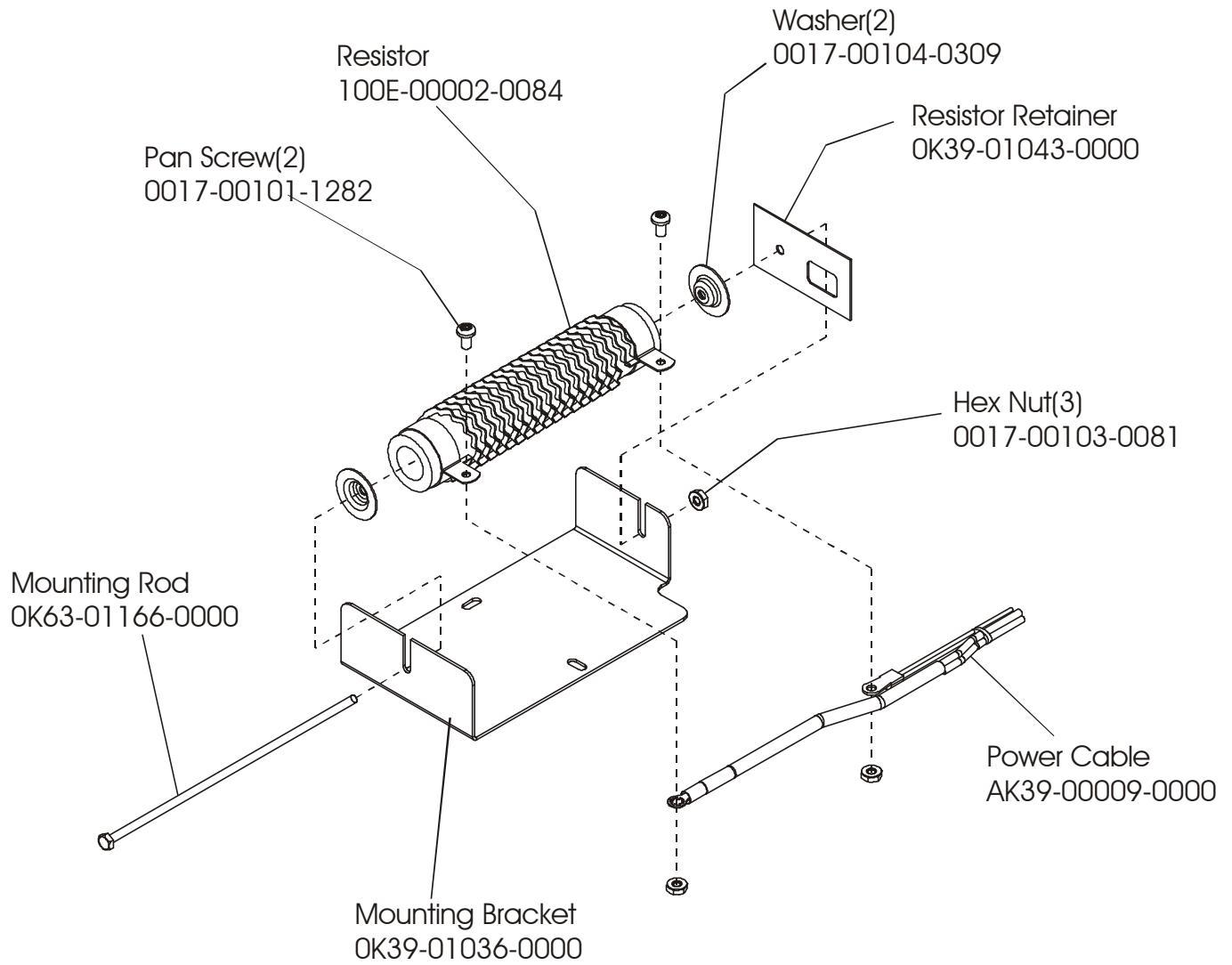
ARCTIC SILVER 90R
Shrouds, End Cap and Pedals

90R-0XXX-02
S/N CCJ100000 and UP



ARCTIC SILVER 90R
Belts

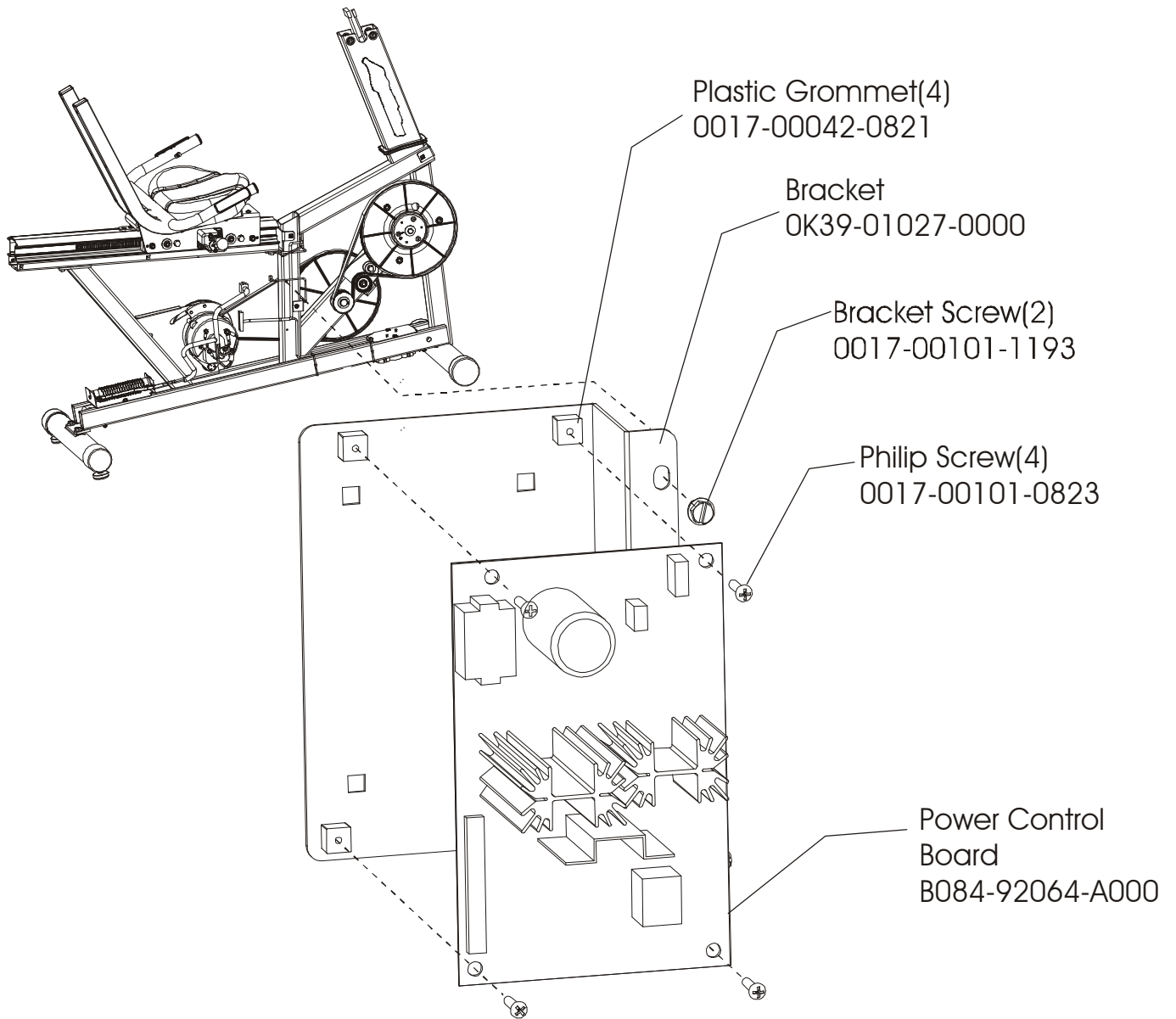
90R-0XXX-02
S/N CCJ100000 and UP



ARCTIC SILVER 90R
Power Control Board

90R-0XXX-02
S/N CCJ100000 and UP

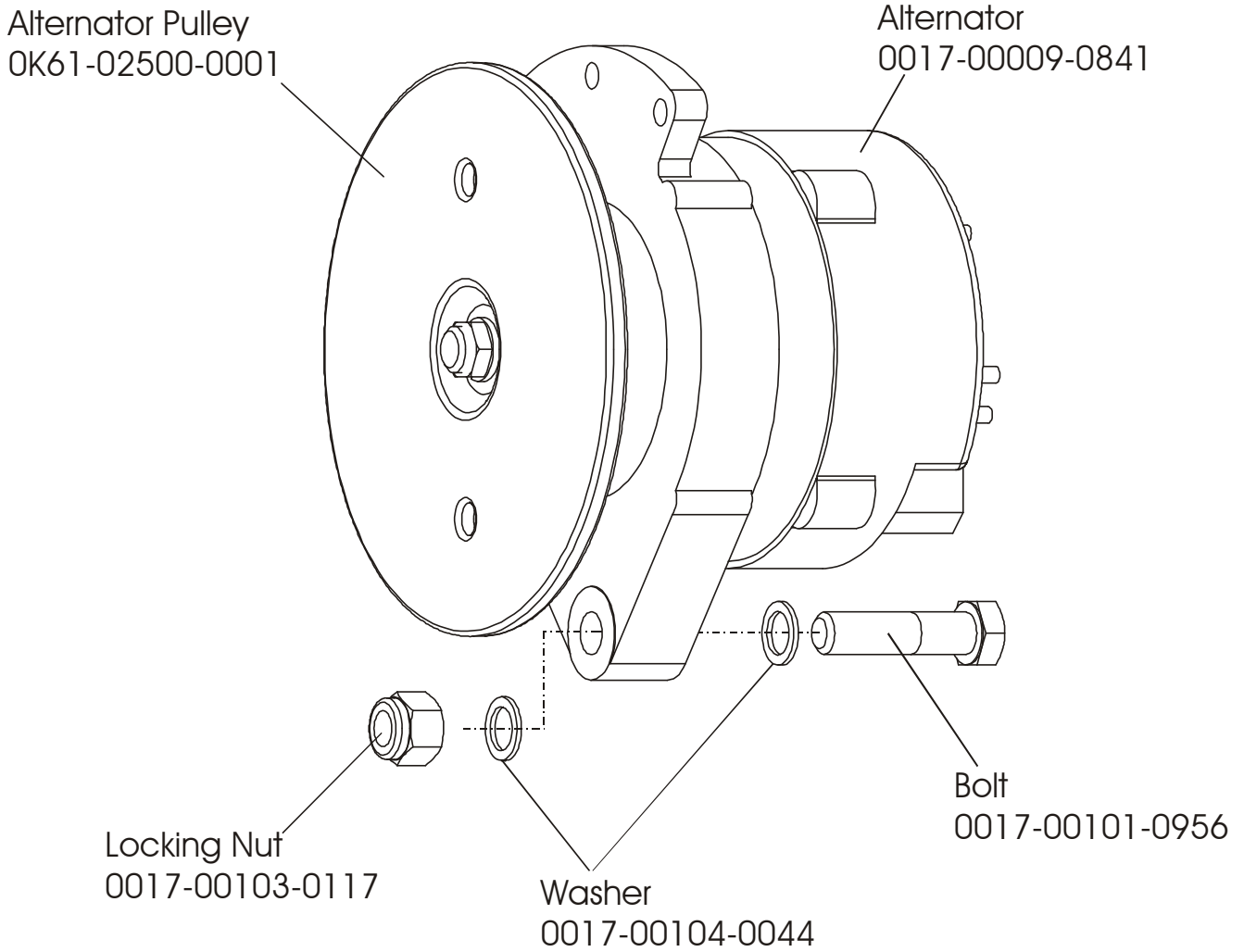
Assembly Number - AK39-00022-0002



ARCTIC SILVER 90R
Alternator w/Pulley Assembly

90R-0XXX-02
S/N CCJ100000 and UP

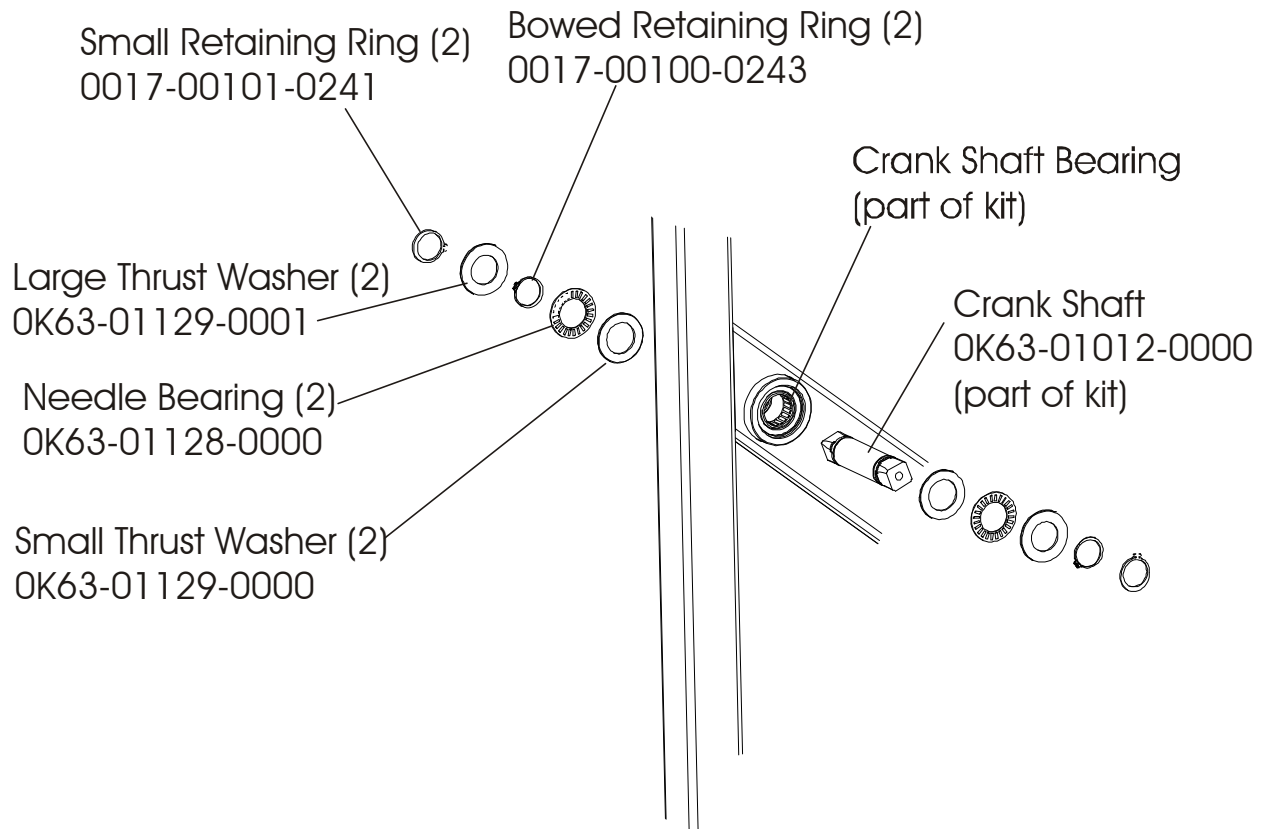
Assembly Number – AK63-00093-0000



ARCTIC SILVER 90R
Crank Shaft and Bearing Assembly

90R-0XXX-02
S/N CCJ100000 and UP

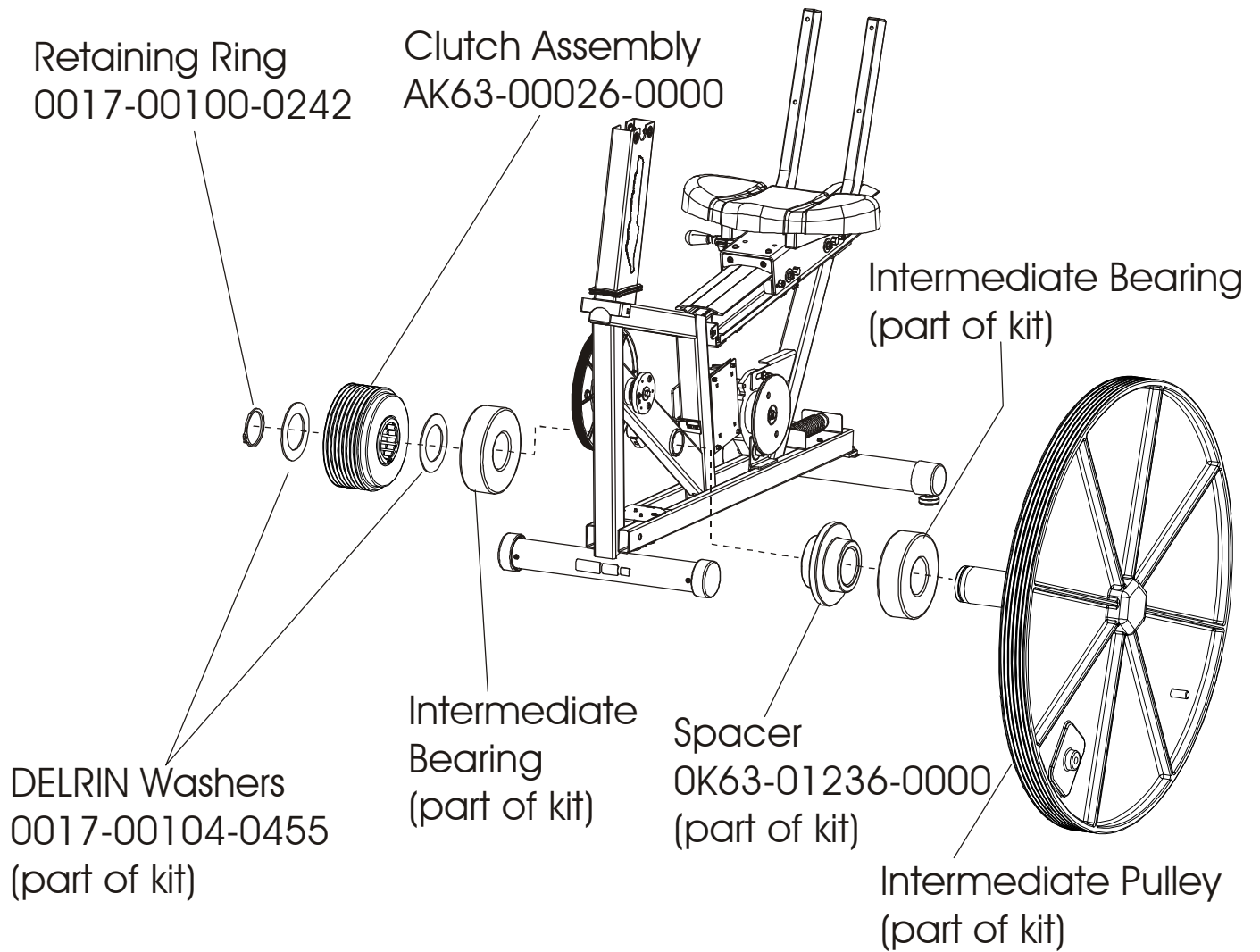
Kit Number: GK63-00002-0006



ARCTIC SILVER 90R
Intermediate Shaft and Bearing Assembly

90R-0XXX-02
S/N CCJ100000 and UP

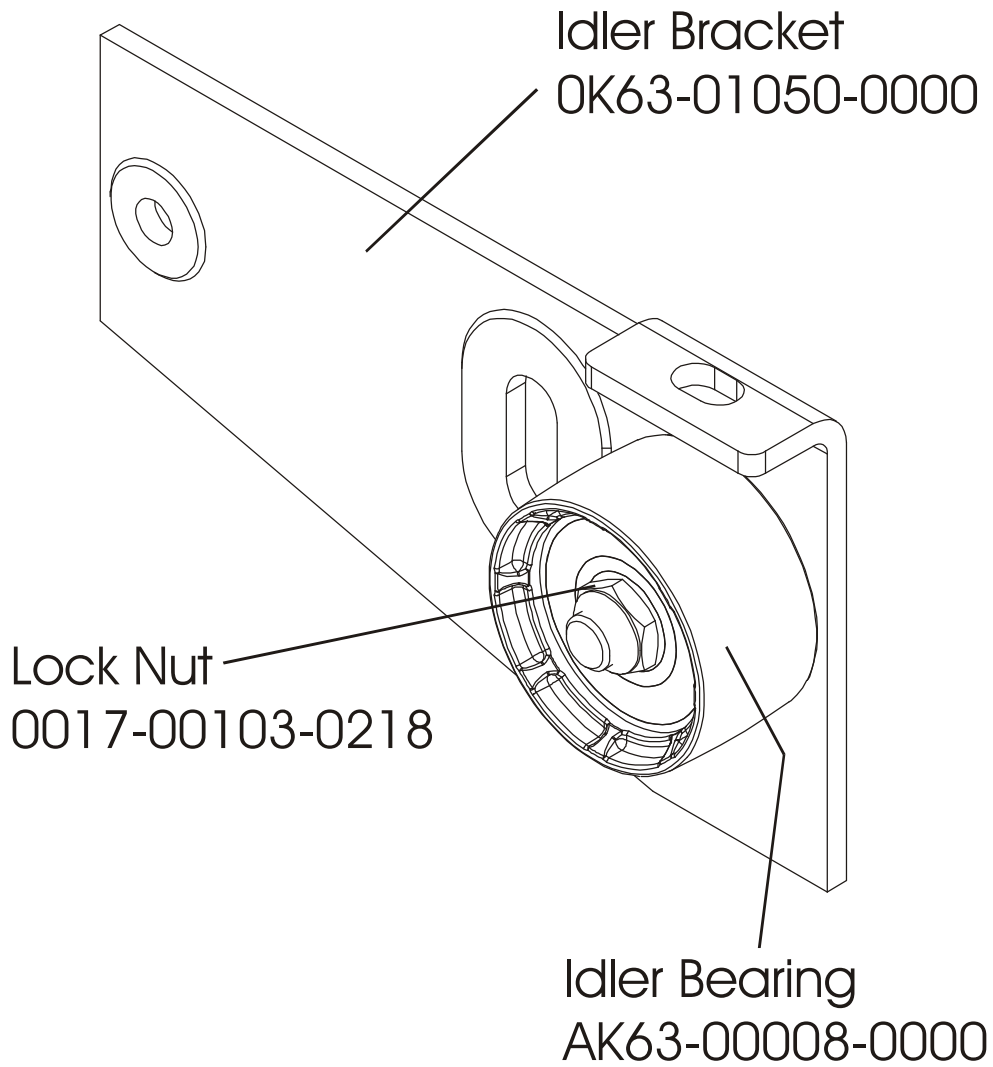
Kit Number – GK63-00002-0007



ARCTIC SILVER 90R
Idler Bracket Assembly

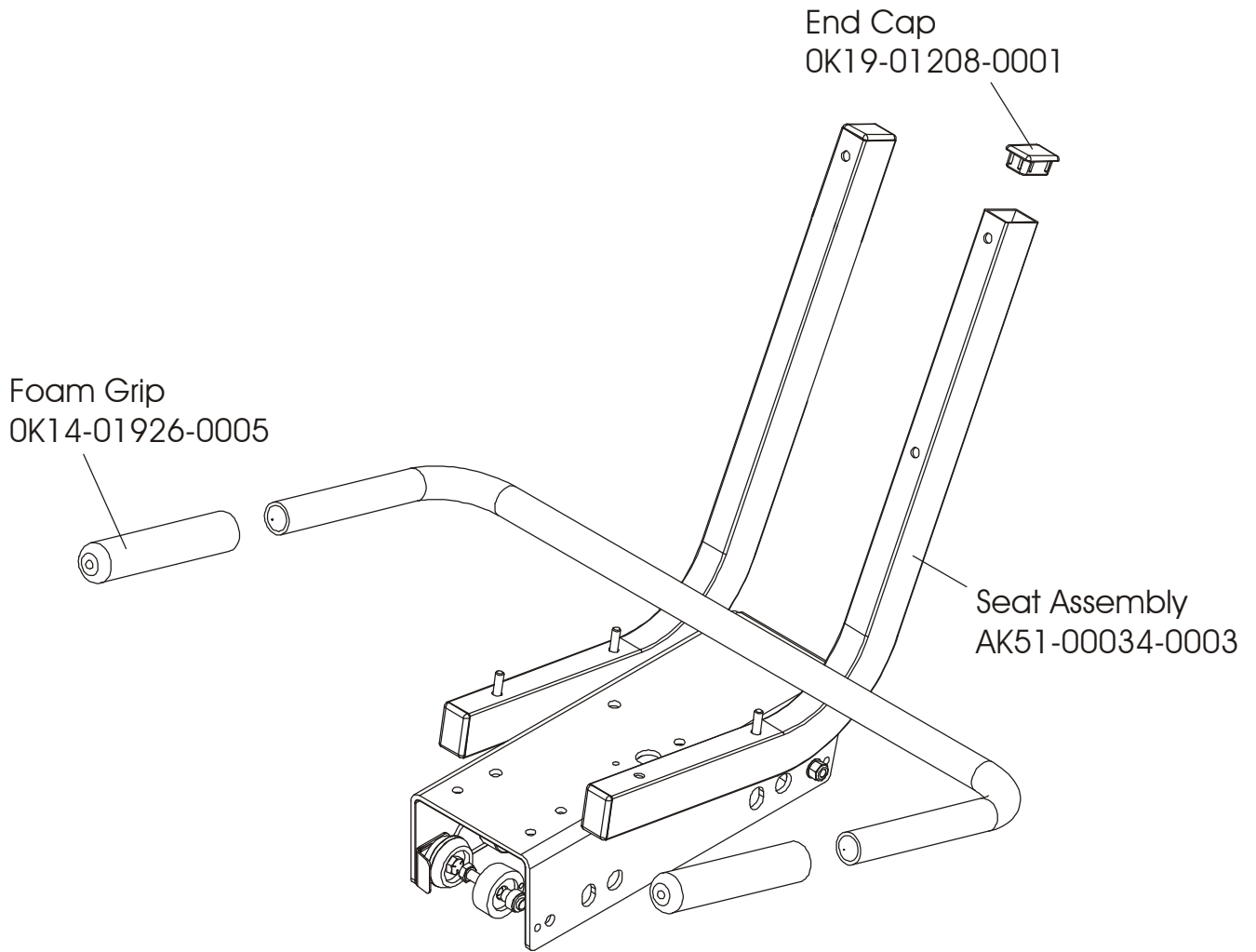
90R-0XXX-02
S/N CCJ100000 and UP

Idler Bracket Assembly – AK63-00021-0000



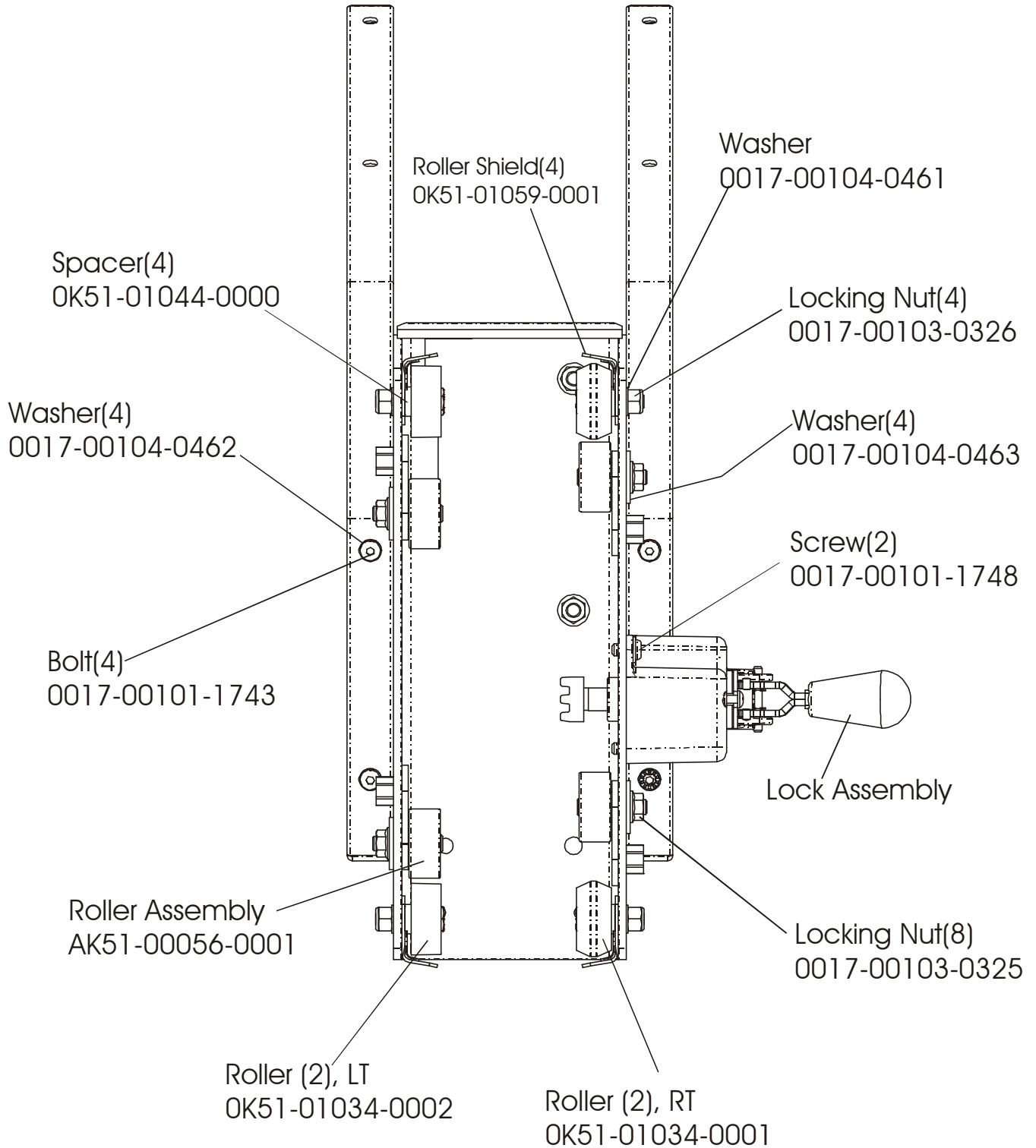
ARCTIC SILVER 90R
Seat Assembly

90R-0XXX-02
S/N CCJ10000 and UP



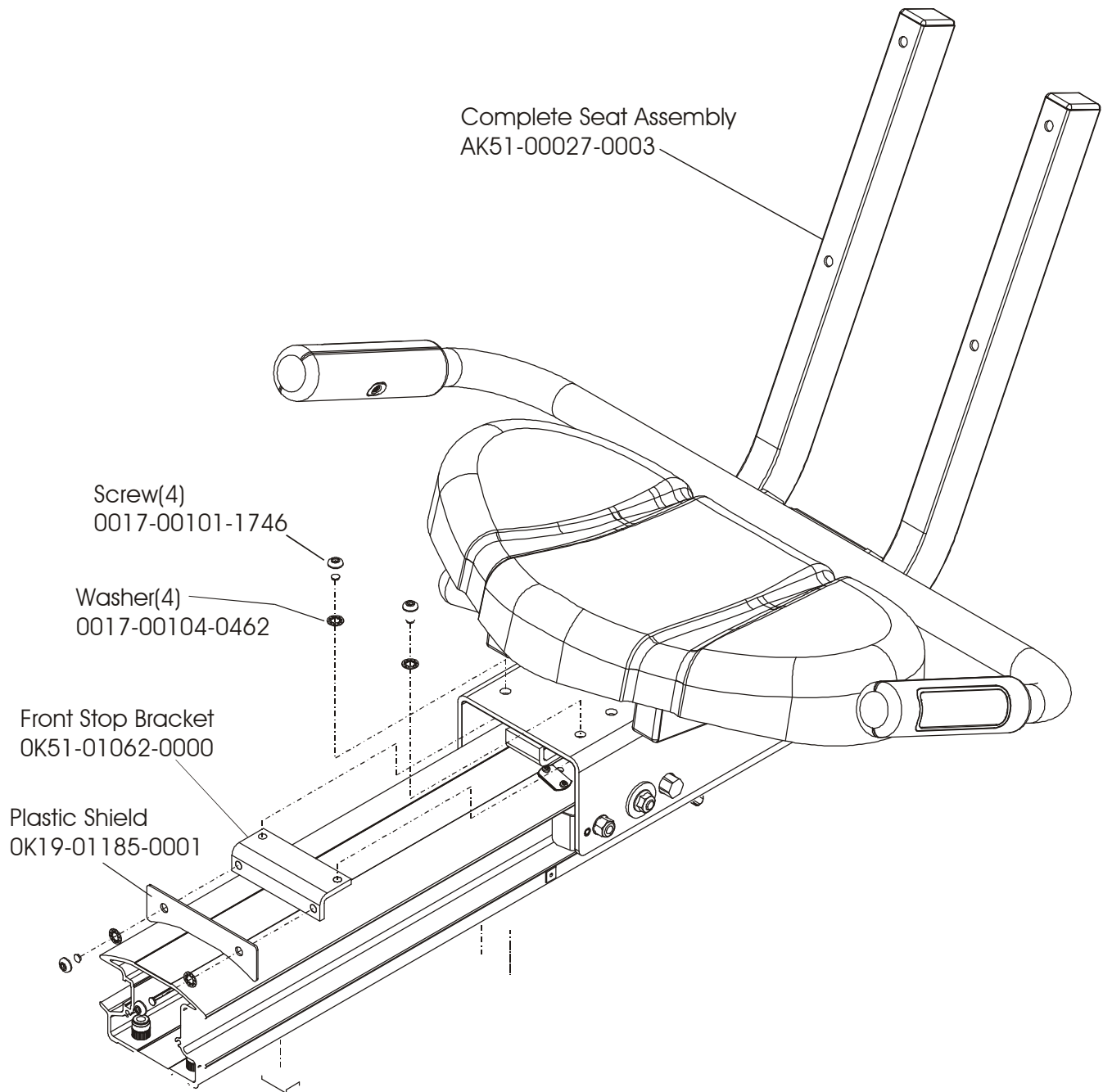
ARCTIC SILVER 90R
Seat Assembly - Bottom

90R-0XXX-02
S/N CCJ10000 and UP



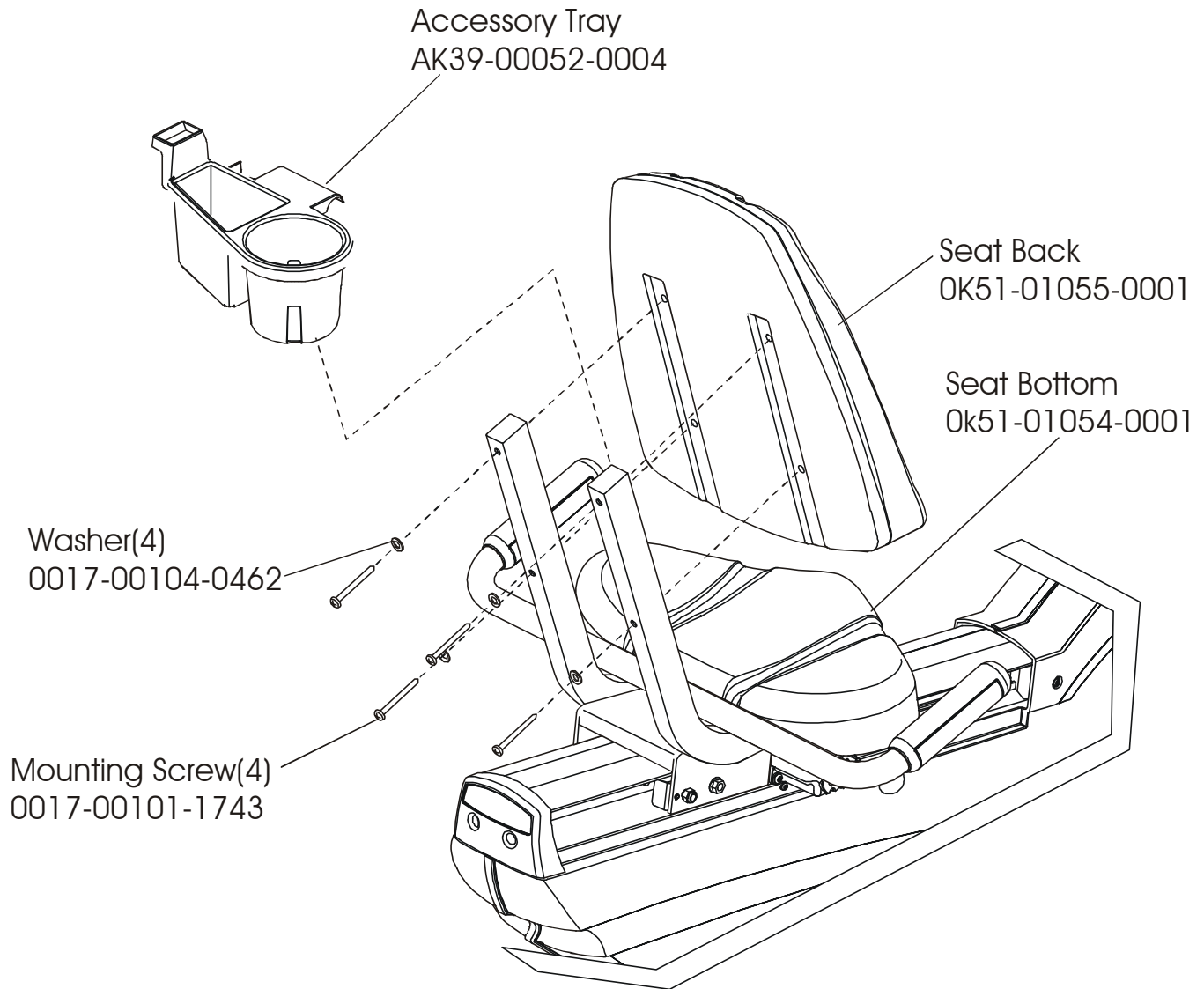
ARCTIC SILVER 90R
Seat Frame Assembly

90R-0XXX-02
S/N CCJ100000 and UP



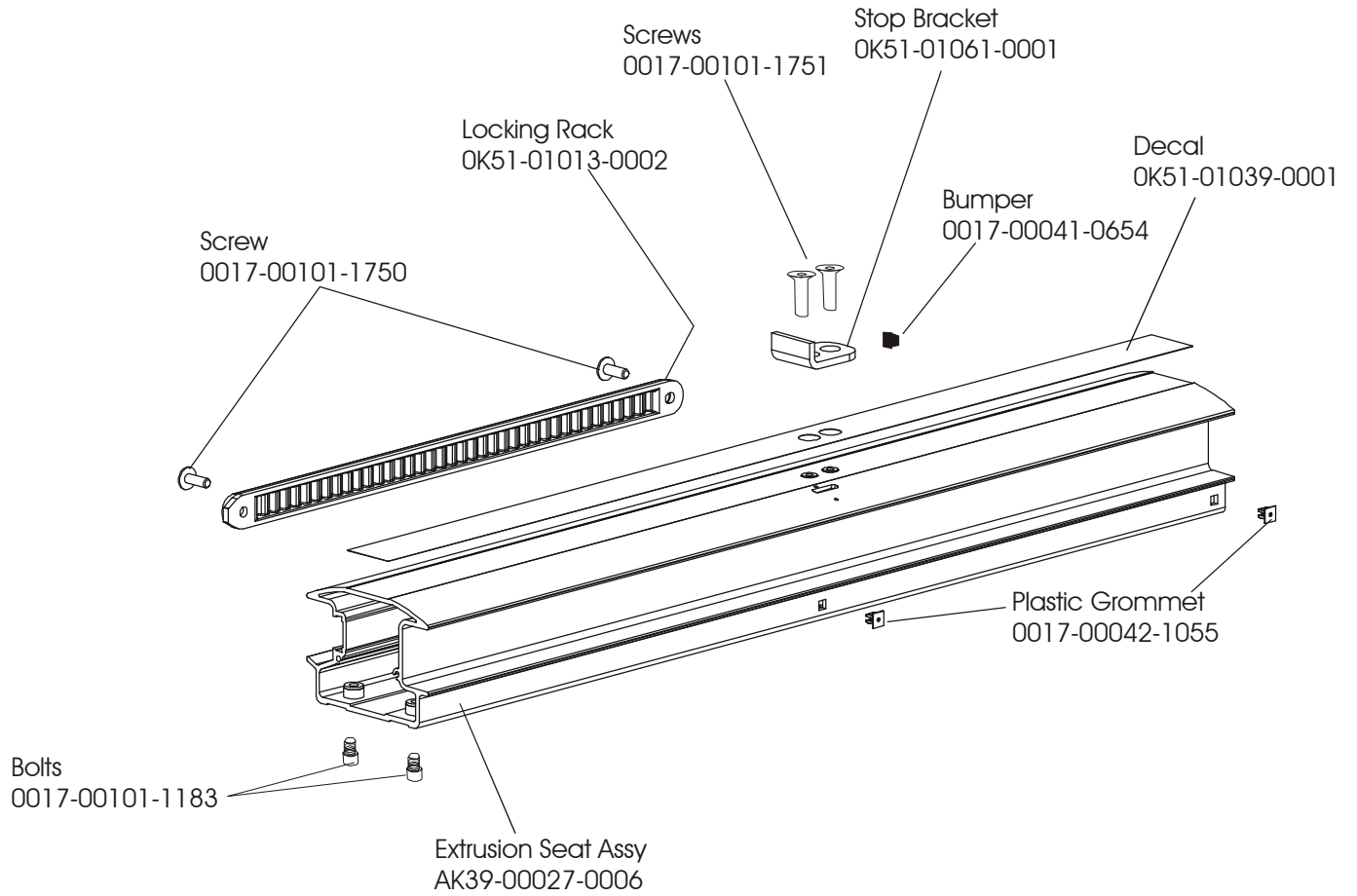
ARCTIC SILVER 90R
Seat Pads and Accessory Tray

90R-0XXX-02
S/N CCJ100000 and UP



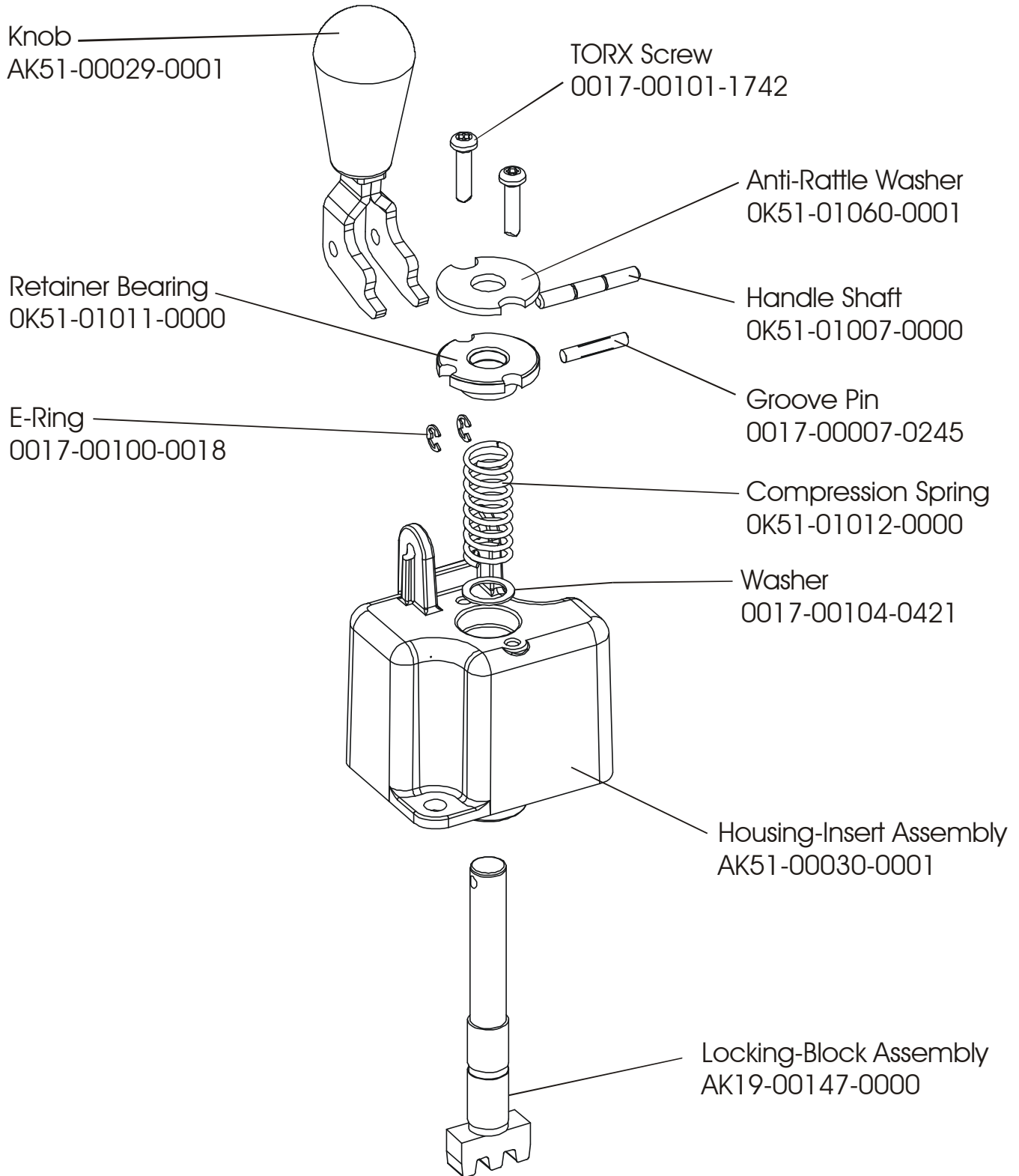
ARCTIC SILVER 90R
Extrusion Assembly – AK39-00027-0006

90R-0XXX-02
S/N CCJ100000 and UP



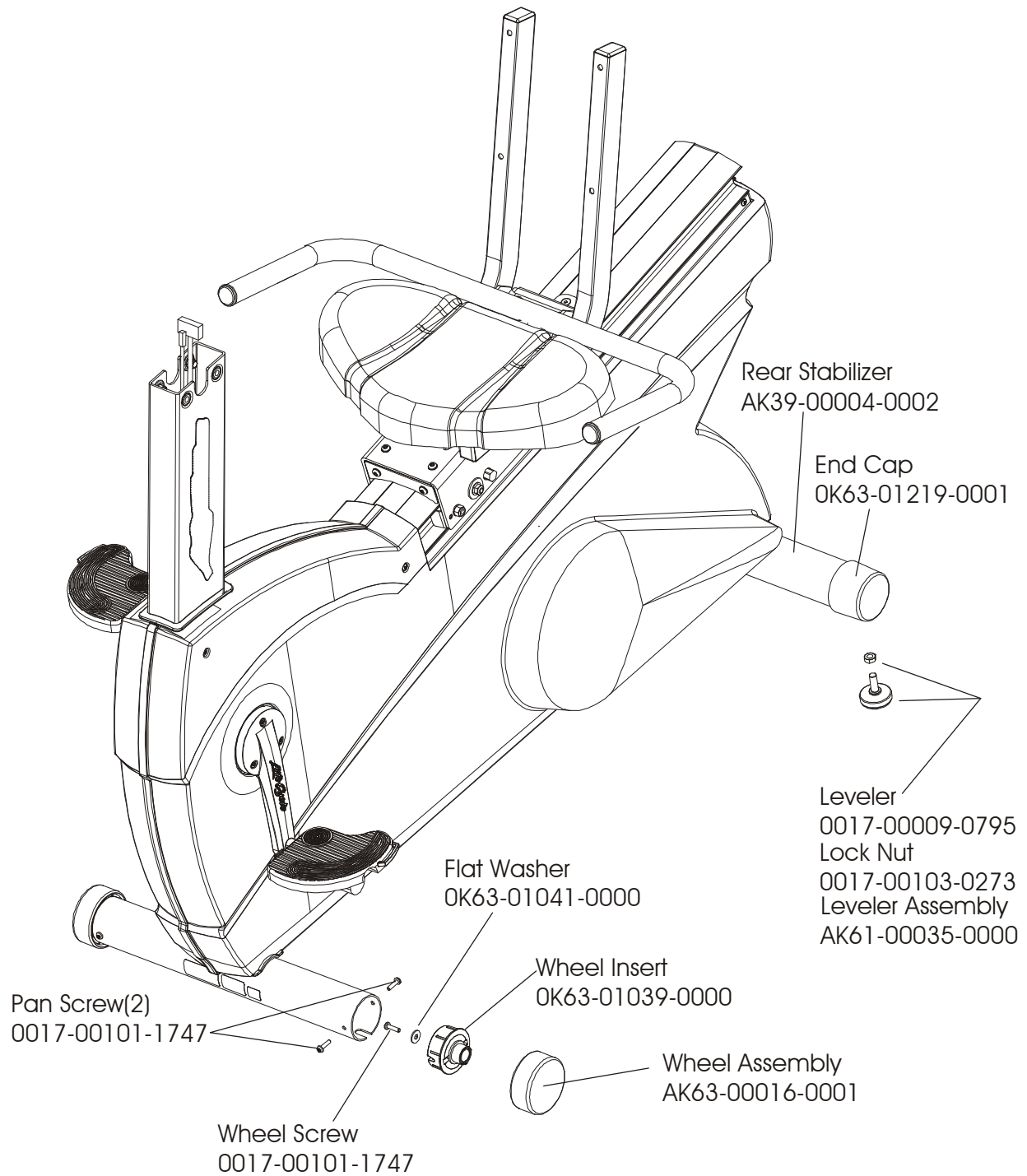
ARCTIC SILVER 90R
Locking Assembly – AK51-00053-0001

90R-0XXX-02
S/N CCJ100000 and UP



ARCTIC SILVER 90R
Wheel and Leveler

90R-0XXX-02
S/N CCJ100000 and UP



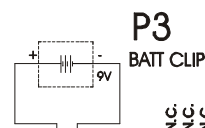
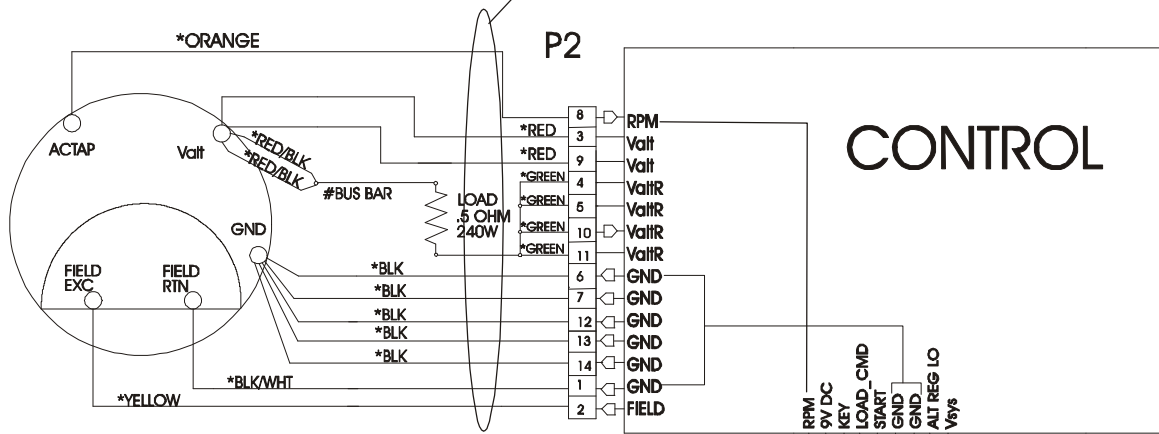
ARCTIC SILVER 90R

Cables

90R-0XXX-02

S/N CCJ100000 and UP

Cable (Alternator to control)
AK39-00009-0000



Cable Main
AK39-00008-0000

